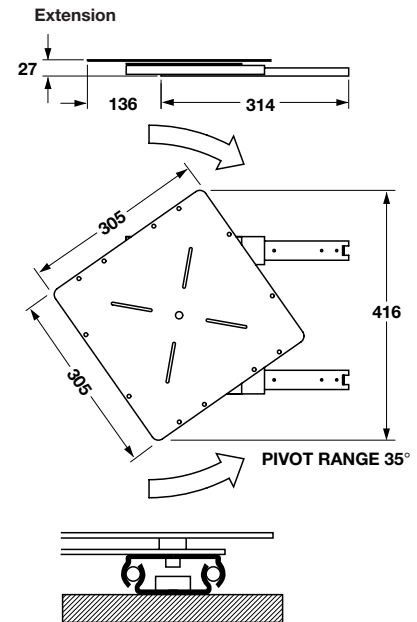


Television Extension Swivels

Fixing to shelf (slides) must be done with through-bolt. (customer supplied)

Note: Depending on installation and where load is actually placed, the weight rating can change (leverage effect). For commercial applications, please conduct your own test.

Extending TV turntable 90 kg (200 lbs.)

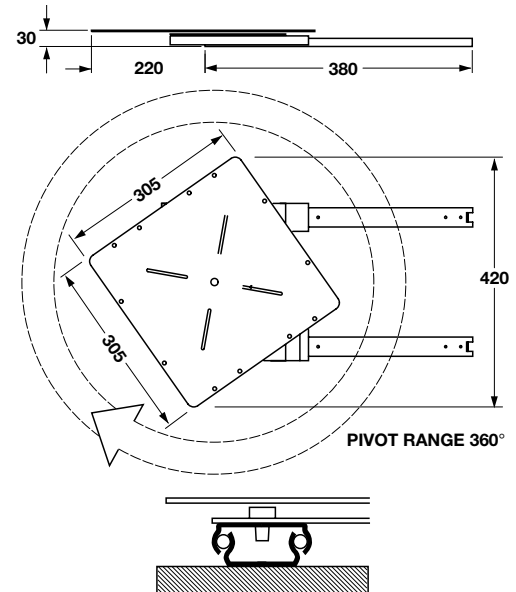
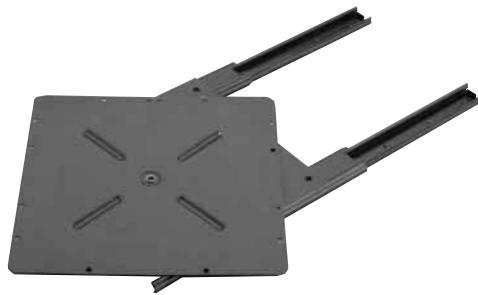


Finish: steel, painted brown

Cat. No. 421.96.110

Packing: 6 pcs.

Extending TV turntable 55 kg (125 lbs.)

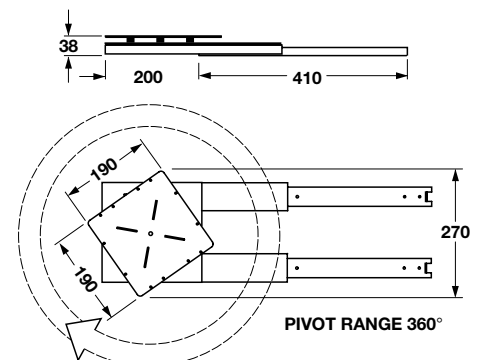


Finish: steel, painted brown

Cat. No. 421.96.118

Packing: 6 pcs.

Extending TV turntable 90 kg (200 lbs.)



Note: Top plate must be manufactured separately(customer supplied)

Finish: steel, painted brown

Cat. No. 421.96.109

Packing: 6 pcs.

**Dimensions in mm
Inches are approximate**

**Organizational Products
for Kitchen, Bath, Closet
and Home Entertainment**

Dimensional data not binding.
We reserve the right to alter
specifications without notice.