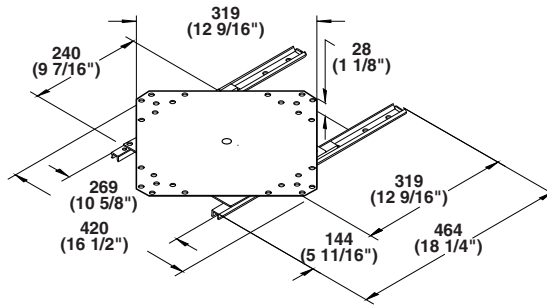
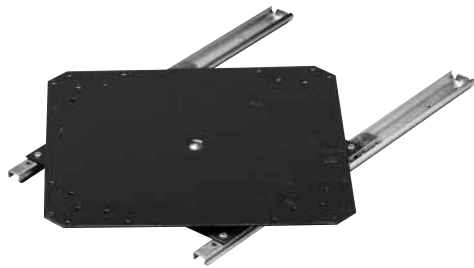


# Television Extension Swivels

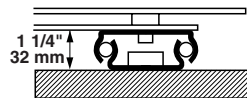
Extending TV turntable 60 kg. (132 lbs.)



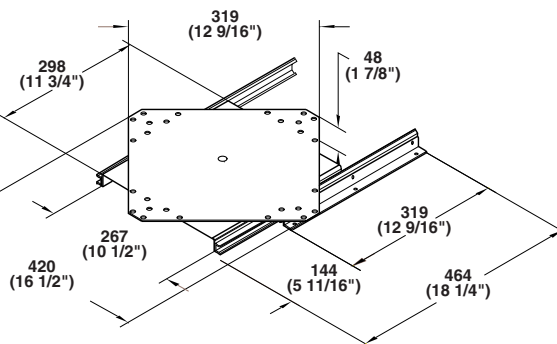
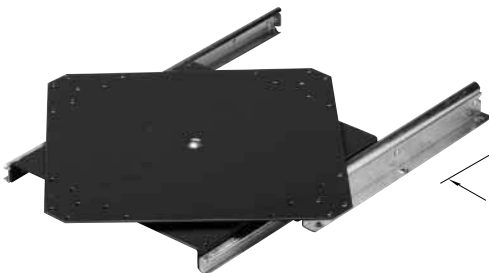
Finish: steel, painted brown

Cat. No. 421.94.110

Packing: 1 pc.



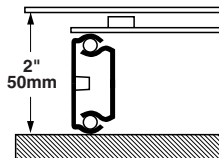
Extending TV turntable 90 kg. (200 lbs.)



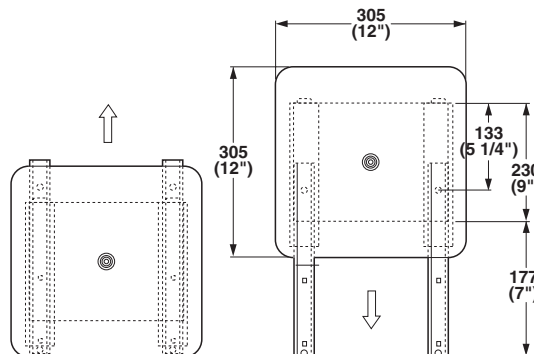
Finish: steel, painted brown

Cat. No. 421.94.120

Packing: 1 pc.



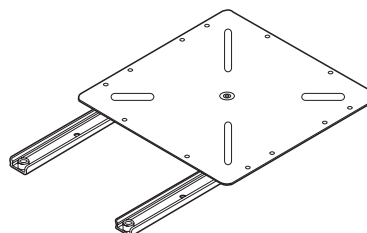
Extending TV turntable 60 kg. (132 lbs.)



Finish: steel, painted black

Cat. No. 423.93.320

Packing: 1 pc.



Fixing to shelf (slides) must be done with through-bolt.

Note: Depending on installation and where load is actually placed, the weight rating can change (leverage effect). For commercial applications, please conduct your own test.

Organizational Products  
for Kitchen, Bath, Closet  
and Home Entertainment