

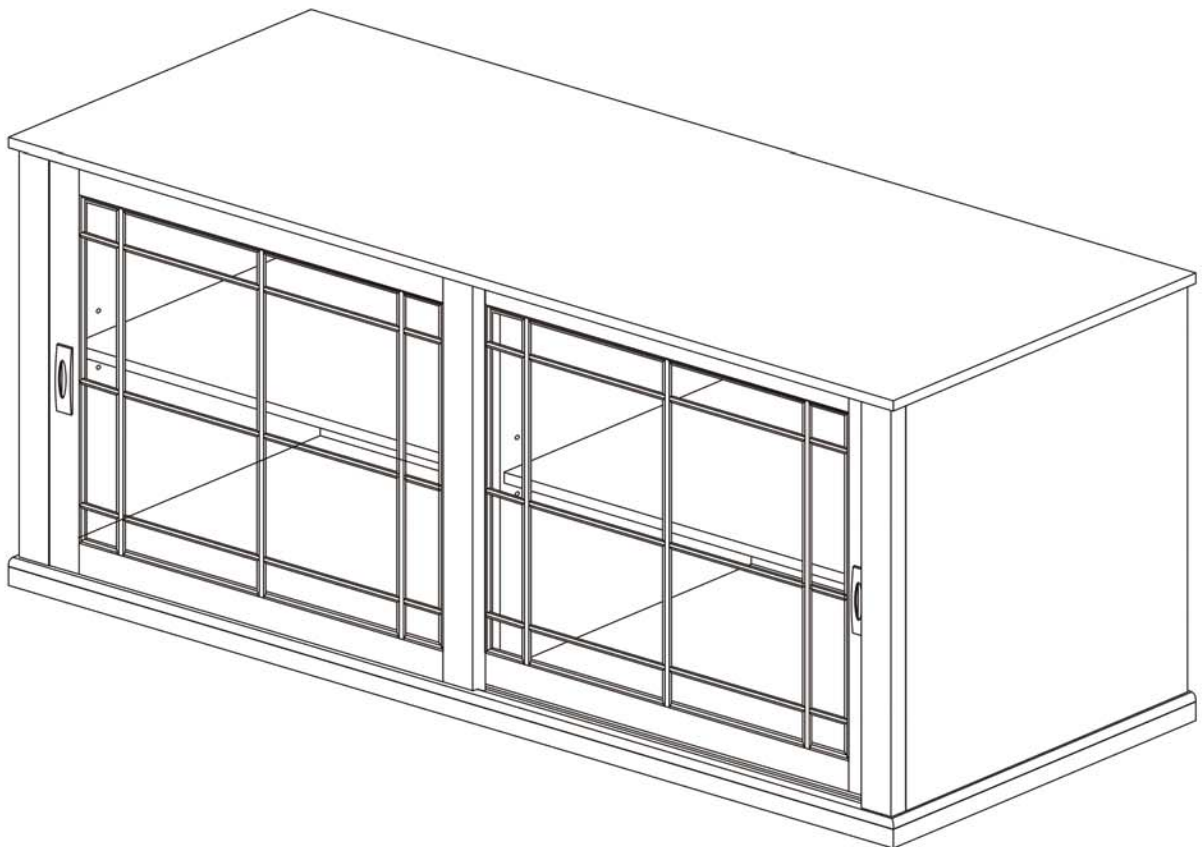
an *EefaCo.* Store

1-800-667-8721

MS987300TX

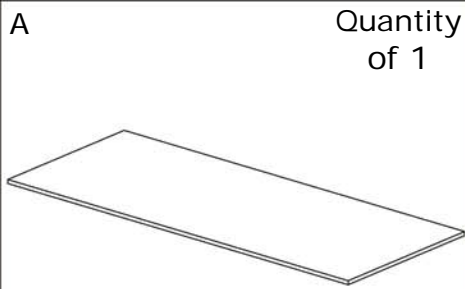
"Ming" 54"W TV/Media Stand

DIST Black Finishing W/Antique Red
Assembly Instructions

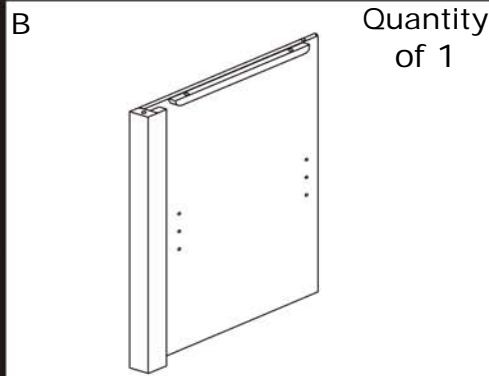


"Ming" 54"W TV/Media Stand Parts List

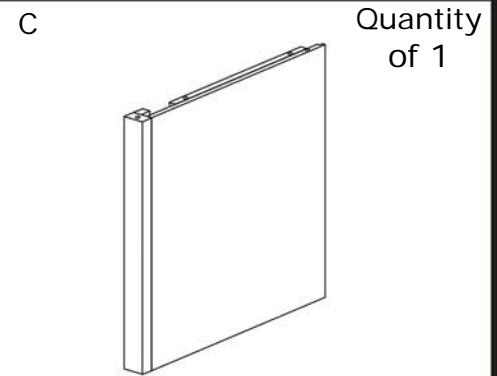
Please review all parts and hardware before disposing of any packaging.
Call Customer Service if missing hardware. Do not return to store/retailer.
Hardware shown actual size. Using hardware that is too long will cause damage.
Before beginning assembly, separate each type of hardware. Carefully study the hardware diagrams below (SHOWN ACTUAL SIZE). You may receive extra hardware with your unit



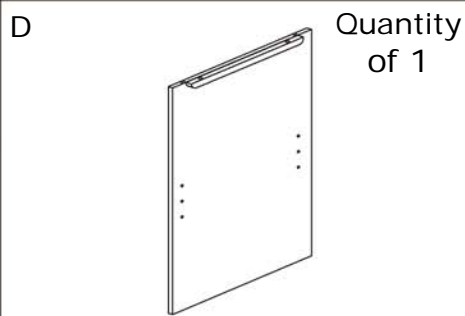
Top Panel



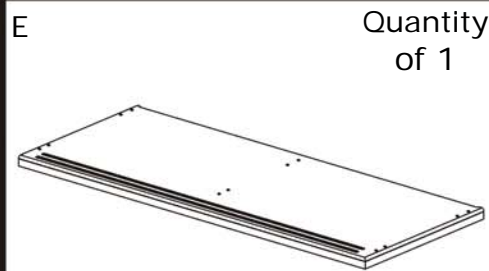
Left Side Panel



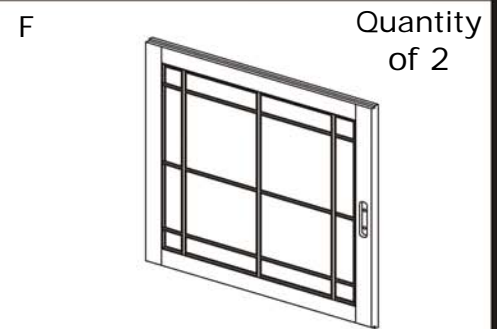
Right Side Panel



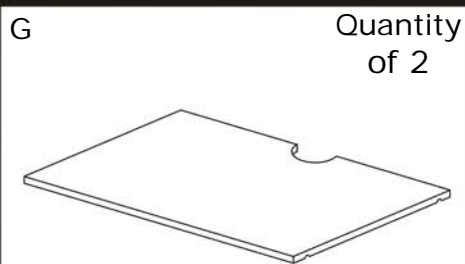
Middle Panel



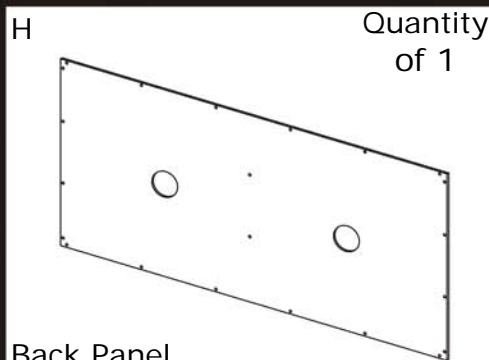
Bottom Panel



Sliding Door



Shelf

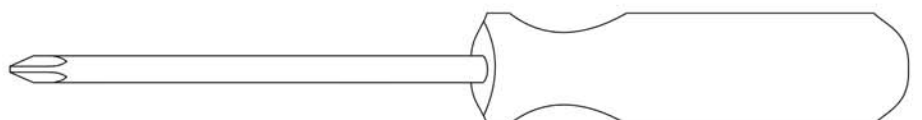


Back Panel

Care and Cleaning Instructions:


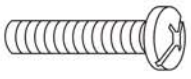




Before using, wipe with a clean, dry cloth.
Periodically apply furniture wax to renew the finish. Avoid rubbing or scratching the surface with rough or abrasive objects.

Assembly Tool Required
No. 2 Phillips Screwdriver
(Not Included)



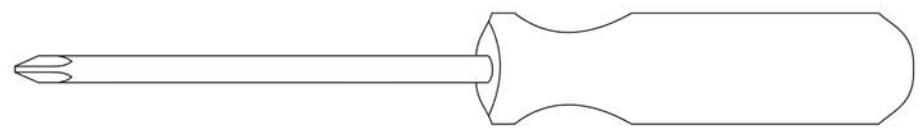
"Ming" 54"W TV/Media Stand Parts List

Please review all parts and hardware before disposing of any packaging.
 Call Customer Service if missing hardware. Do not return to store/retailer.
 Hardware shown actual size. Using hardware that is too long will cause damage.
 Before beginning assembly, separate each type of hardware. Carefully study the hardware diagrams below (SHOWN ACTUAL SIZE). You may receive extra hardware with your unit

<p>(1) Quantity of 12</p>  <p>8mm x 30 mm Wood Dowel</p>	<p>(2) Quantity of 12</p>  <p>1/4" x 1" Bolt</p>
<p>(3) Quantity of 2</p>  <p>Metal Handle</p>	<p>(4) Quantity of 4</p>  <p>5/32" x 15mm Bolt For Handle</p>
<p>(5) Quantity of 8</p>  <p>Metal Pin</p>	<p>(6) Quantity of 22</p>  <p>3.5mm x 12 mm Screw For Back</p>

Care and Cleaning Instructions:
 Before using, wipe with a clean, dry cloth.
 Periodically apply furniture wax to renew the finish. Avoid rubbing or scratching the surface with rough or abrasive objects.

Assembly Tool Required
 No. 2 Phillips Screwdriver
 (Not Included)



"Ming" 54"W TV/Media Stand Assembly Instructions

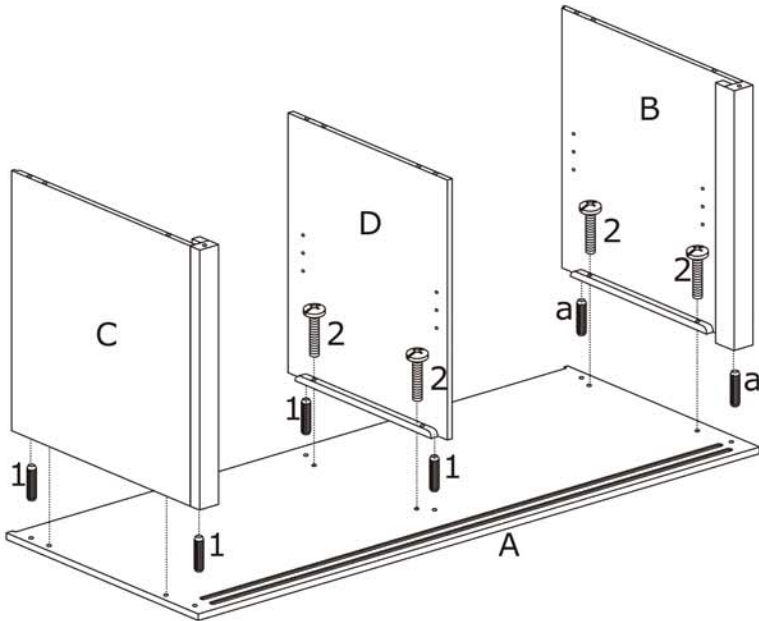


Figure 1


Assembly Instructions:
Wood may scratch easily. Be careful when assembling. Do not scratch.

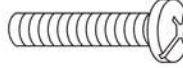
Step 1. Unpack and lay parts on clean, padded surface like carpet or blanket. Check that you have all parts indicated on the front page.

Step 2. Put the Top Panel (A) on the soft working surface.

Step 3. Insert the Wood Dowels(1) into predrilled holes in Side Panels(B,C) and Middle Panel(D).

Step 4. Attach Side Panels(B,C) and Middle Panel(D)to the Top Panel(A) with Bolt(2), then fasten them.

(1)		Quantity of 6
	8mm x 30 mm Wood Dowel	

(2)		Quantity of 6
	1/4" x 1" Bolt	

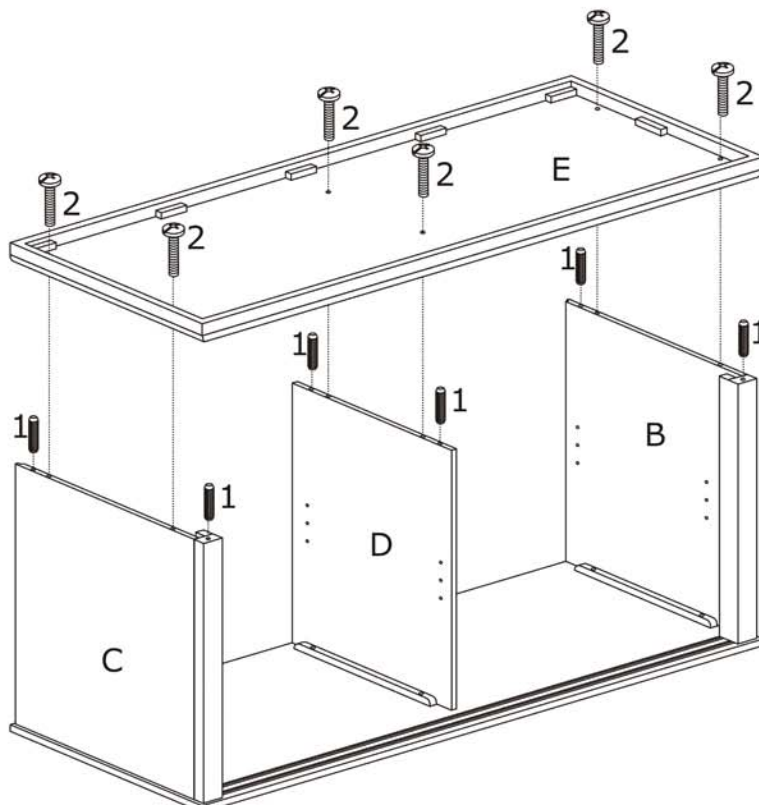
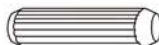



Figure 2

Step 1. Insert the Wood Dowels(1) into predrilled holes in Side Panels(B,C) and Middle Panel(D).

Step 2. Attach Bottom Panel(E) to the Side Panels(B,C) and Middle Panel(D) with Bolt(2), then fasten them.

(1)		Quantity of 6
	8mm x 30 mm Wood Dowel	

(2)		Quantity of 6
	1/4" x 1" Bolt	

"Ming" 54"W TV/Media Stand Assembly Instructions

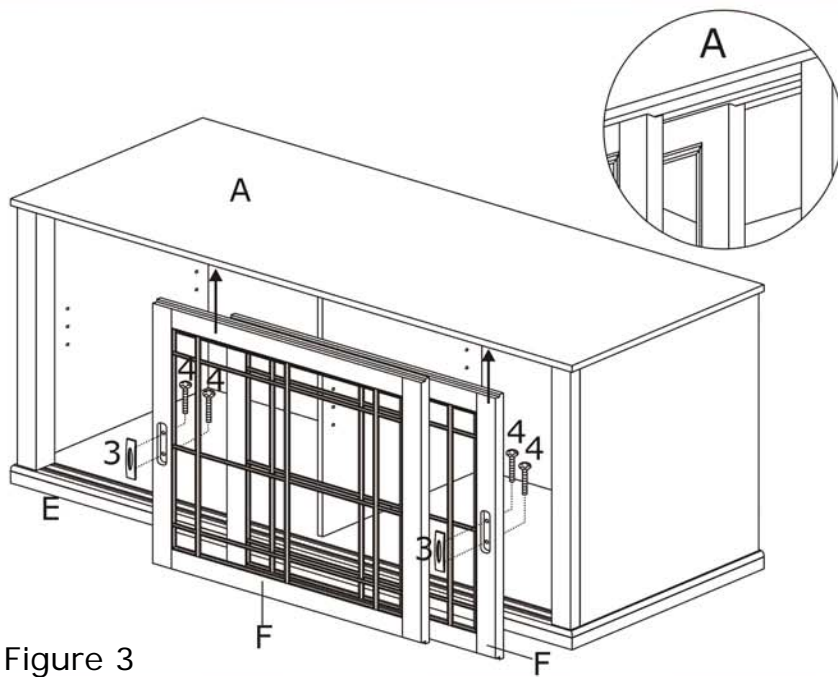


Figure 3

Step 1. Insert the Sliding Door(F) into the groove in the Top Panel(A) and Bottom Panel(E) .

Step 2. Attach Metal Handle(3) to Sliding Door(F) with Bolt for Metal Handle(4).

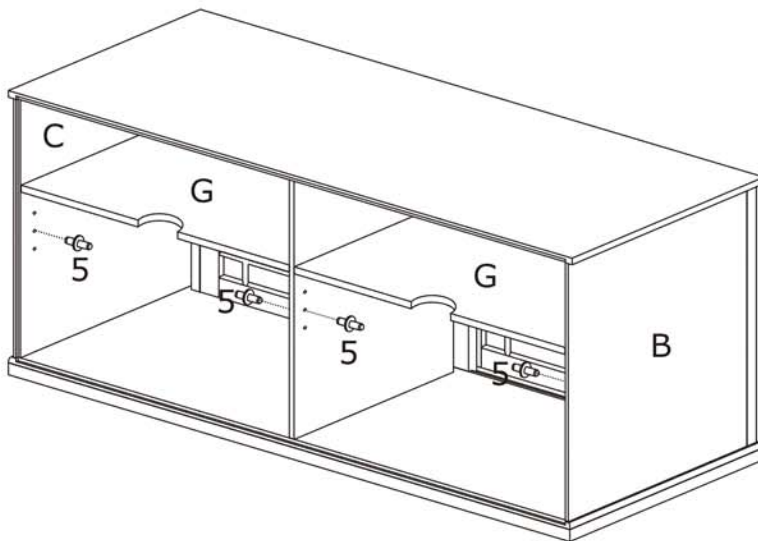


Figure 4

Step 1. Insert Metal Pins(5) to Side Panels(B,C) and Middle Panels(D).

Step 2. Put the Shelves (G) above the Metal Pins(5).

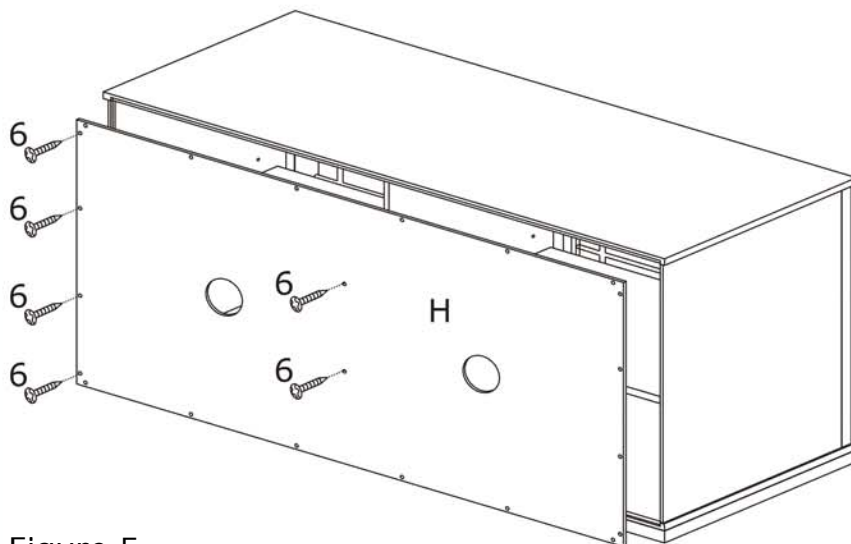


Figure 5

Step 1. Attach the Back Panel(H) as pictured with Screw For Back(6), then fasten them.





MS987300TX Parts Replacement Form

Customer Information

Name _____

Address _____

City/State/Zip Code _____

Phone Number _____

Please indicate where you purchased this item: Store/Website/Catalog

Please indicate color/size/style number:

Style No	Parts Letter	Parts Description	Quantity Needed

Missing or damaged hardware and/or parts will be replaced free of charge. We do not sell parts. Southern Enterprises Inc. Will provide replacement parts for only those items purchased within the last 9 months. If this product has not been purchased from our retail affiliates (within 9 months), we are under no obligation to provide parts or replacement merchandise. Parts will not be available for items arriving fully assembled parts will be sent if available from SEI.

 **CAUTION**

The top shelf of this cabinet is intended for plasma/LCD televisions having a maximum screen size of 52" and weight of 175 lb.

The top shelf is NOT INTENDED for tube televisions.

Each center shelf should not be loaded with more than 20 lb. Each side shelf should not be loaded with more than 15 lb.

DO NOT EXCEED RECOMMENDED LOAD. Use with products heavier than the maximum sizes and weights indicated may result in instability causing possible injury.

This unit contains a permanent warning sticker located on under side of top shelf or inside drawer.

Do not allow children under 16 years to move the cart.

an *Eefa*Co. Store
1-800-667-8721