



Applications:

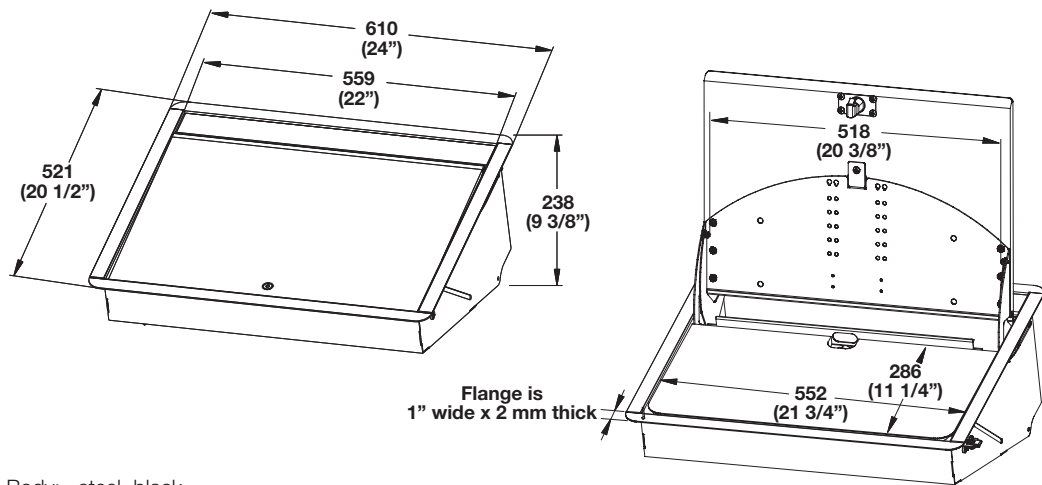
- Learning Centers
- Training Rooms
- Classrooms
- Home Office
- Commercial Applications

- Lock included for extra security.
- Can be used as a work surface when top is closed.
- Easy to install and retrofit in existing desks.
- Requires a 22 5/8" (575 mm) x 19 1/8" (485 mm) cut-out.
- Maximum monitor dimensions: 13" Tall (330 mm) x 19" Wide (483 mm) x 2" Thick (51 mm)
- Flat screen mounting holes adhere to VESA standards.
- Adequate ventilation for monitors and laptops.
- When top is opened, an internal shelf rises with the help of pneumatic gas cylinders, lifting the laptop or keyboard up to the work surface.
- Enhances eye contact - allows a direct line of sight.
- Assures privacy - the recessed monitor provides security for sensitive material.

SmartDeck is specifically designed to accommodate a flat screen computer monitor. SmartDeck houses a flat screen monitor, computer keyboard, and mouse. Save real estate by creating a multi-purpose work surface. When SmartDeck is closed, it lays flat so the work surface can be used. In addition, it can be locked to keep your computer monitor, keyboard, and mouse safe. To open simply unlock, and it easily pops up revealing the monitor and raising the keyboard up to the work surface.



Use for Flat Screen Monitors or Laptop Computers.



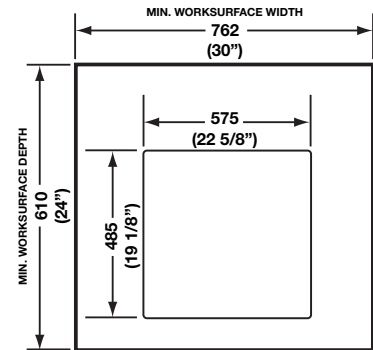
Body: steel, black

Top: black matt textured, laminate-covered MDF

Lock: steel, black

Cat. No. 639.84.300

Packing: 1 pc. (mounting hardware included)



* Cut-out dimensions

**Tables, Legs, Casters,
Levelers and Office
Organization**

Dimensional data not binding.
We reserve the right to alter
specifications without notice.