

# 88 5180 08 Arts & Crafts Media Cabinet

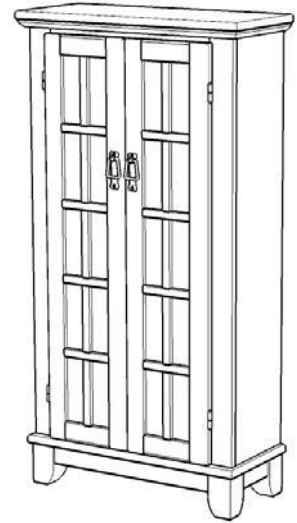
## IMPORTANT NOTE

Carefully remove all the parts from the carton and put them individually on a soft cloth to prevent scratches or other damages occurring to the wood parts.

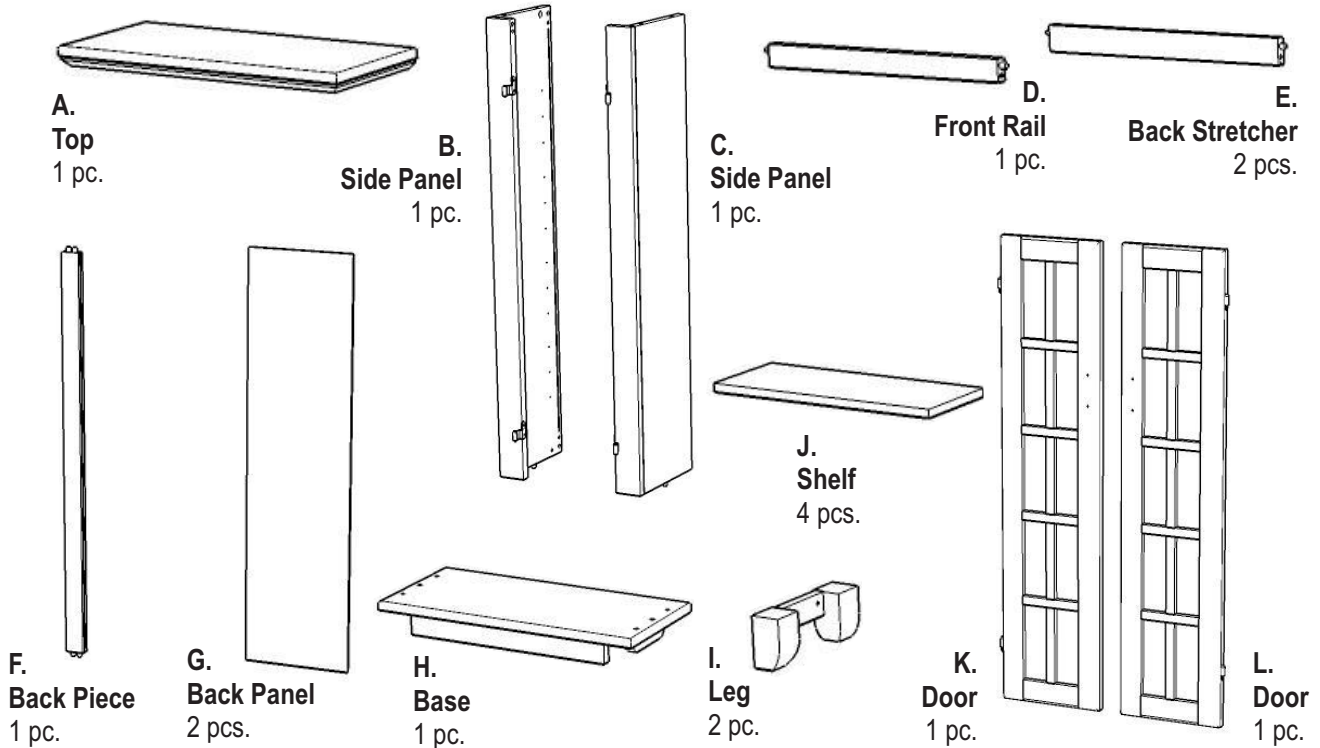
We have taken great care in the design of this product and request that you carefully and strictly follow our assembly instructions to ensure a completed product as it was designed.



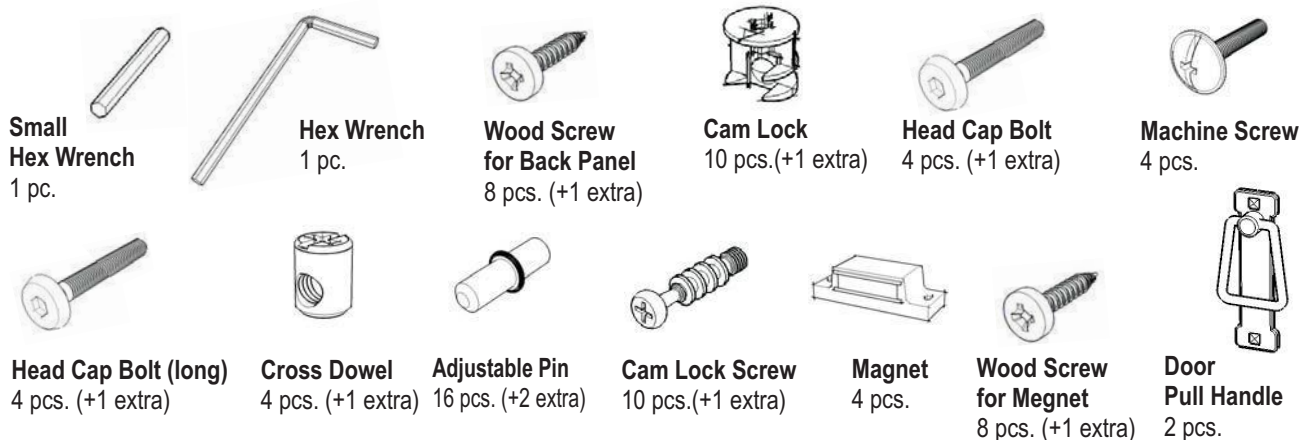
Casual Attire For Today's Home



## Part List



## Hardware List

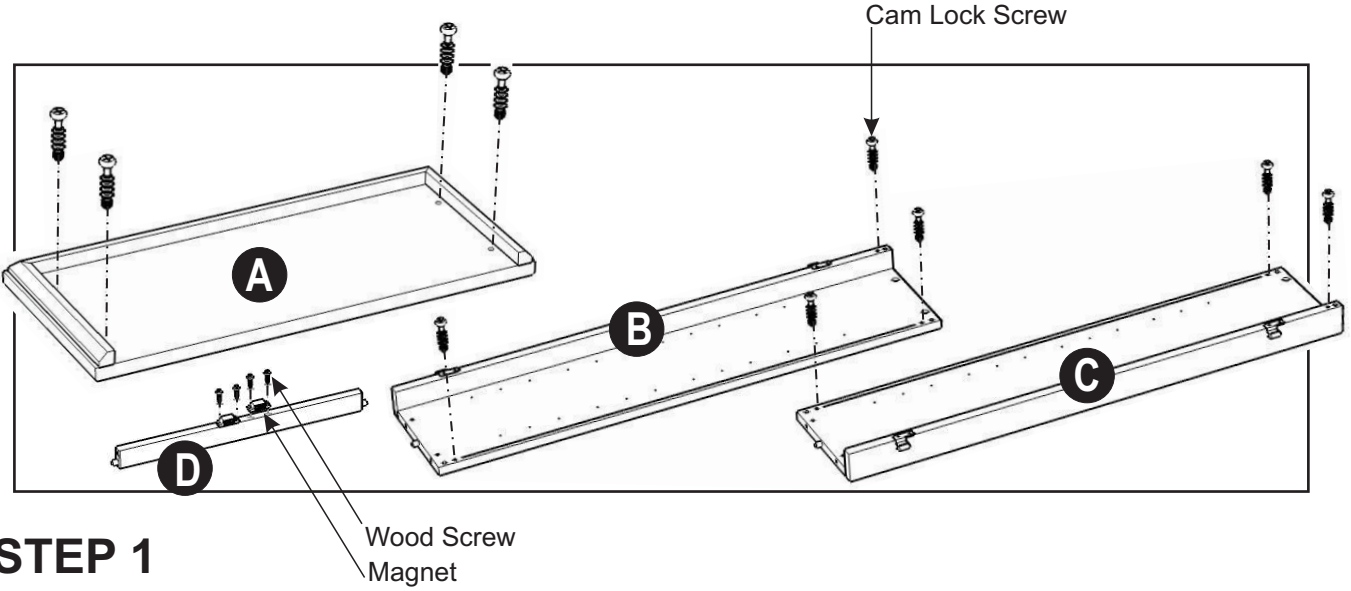


Tools required for assembly: **Phillips** screwdriver

# Assembly Instructions 2/4

**IMPORTANT**

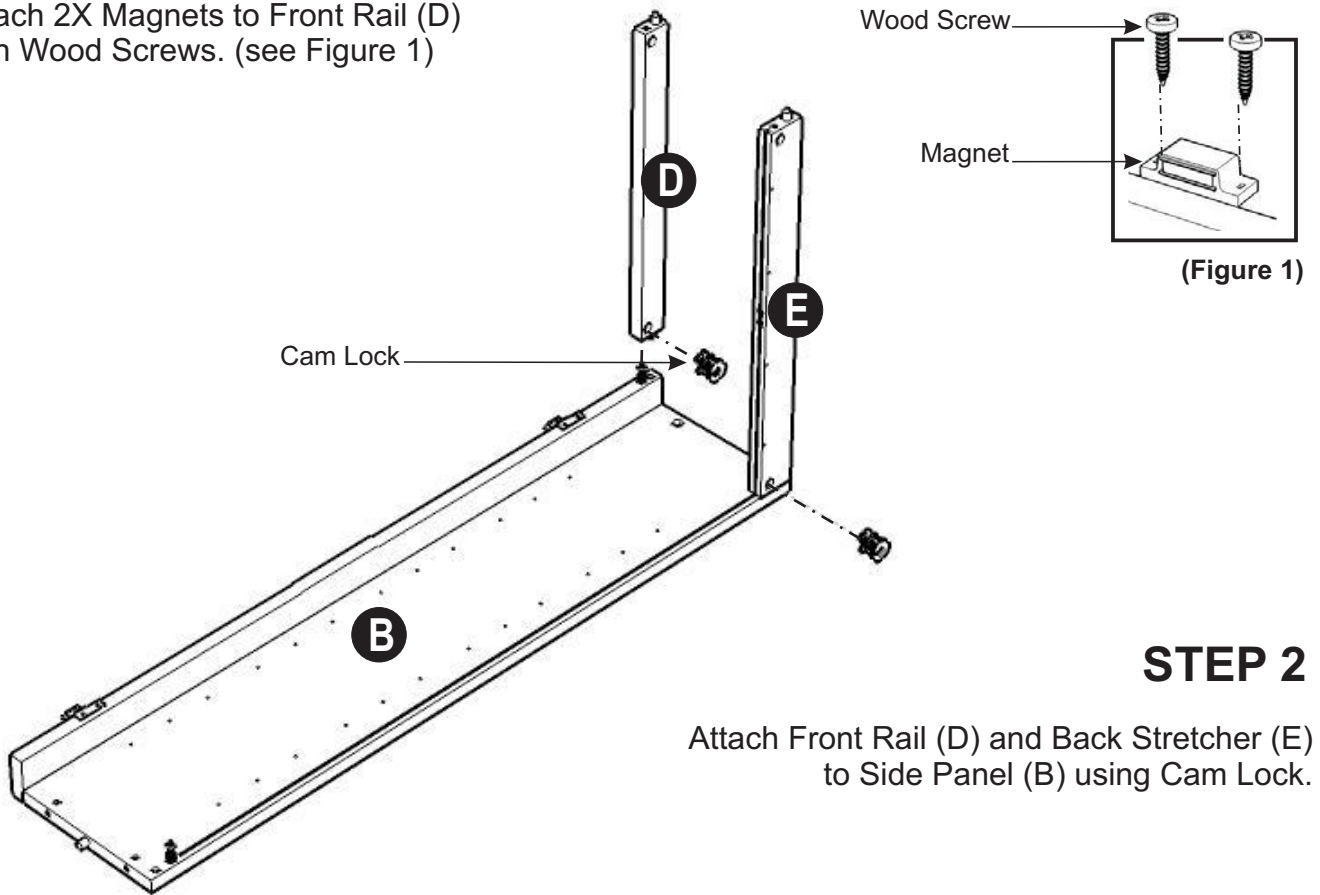
- \* Do not tighten up all the screws until each part is properly assembled.
- \* You should keep Hex Wrench in a safe place as you may need to tighten up the Head Cap Bolts in the future.



**STEP 1**

Put Cam Lock Screws into the pre-drilled holes of Top (A) Side Panel (B),(C) and tighten.

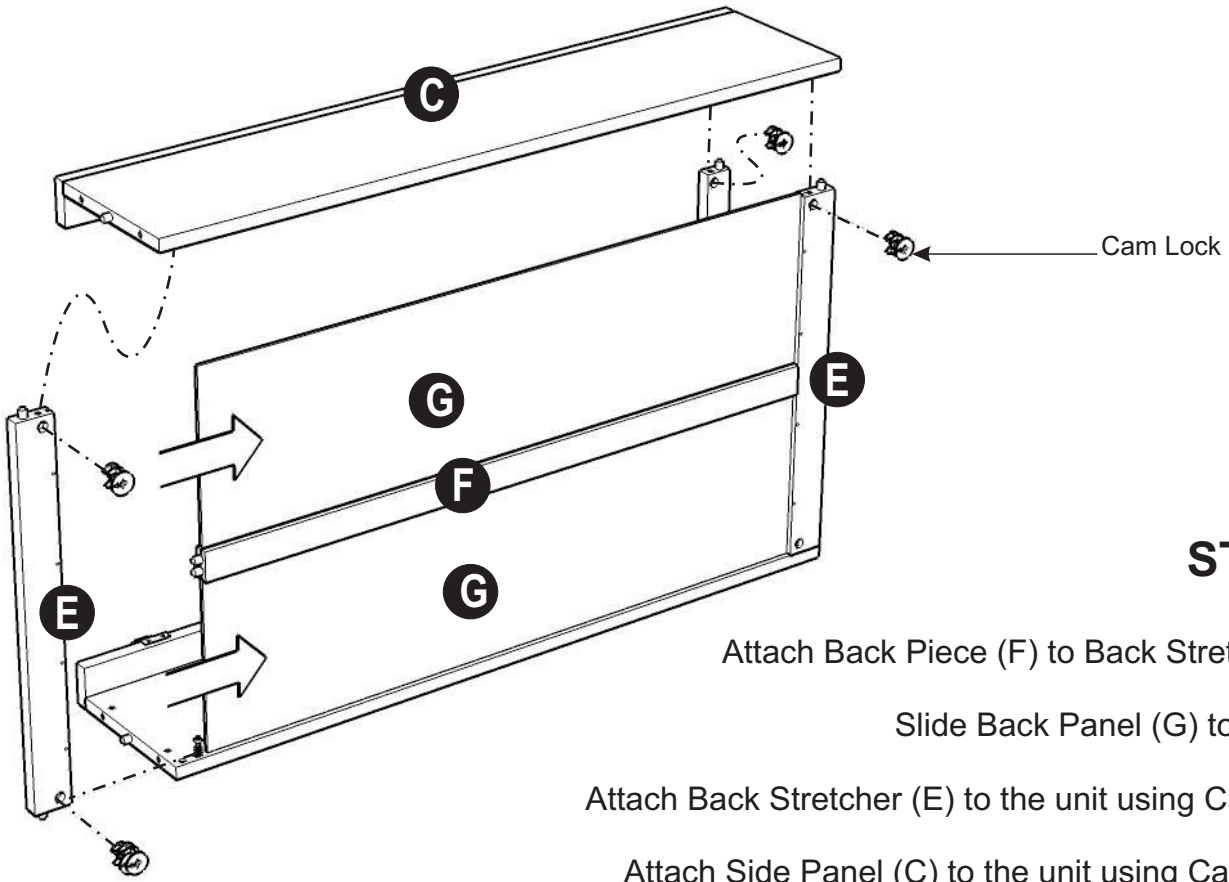
Attach 2X Magnets to Front Rail (D) with Wood Screws. (see Figure 1)



**STEP 2**

Attach Front Rail (D) and Back Stretcher (E) to Side Panel (B) using Cam Lock.

# Assembly Instructions 3/4



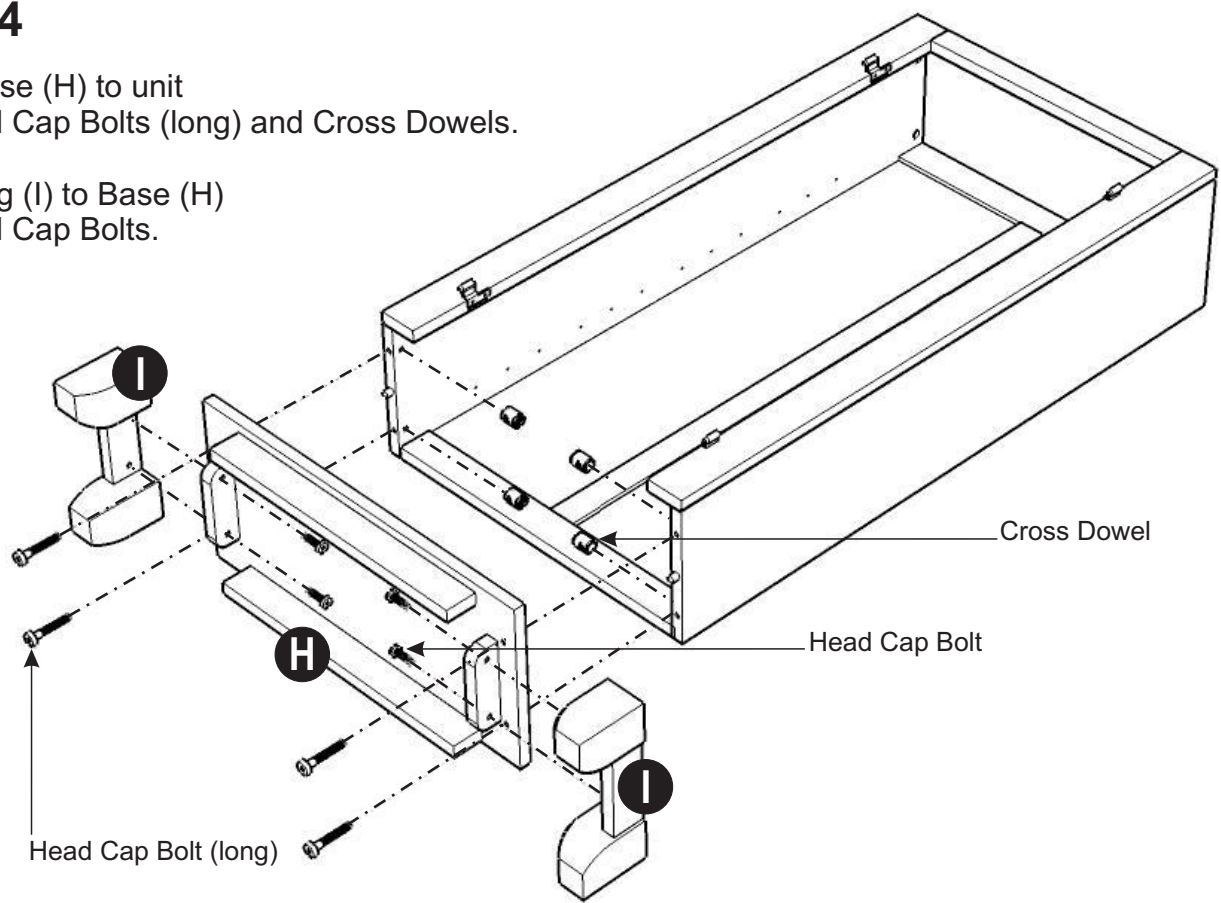
## STEP 3

- Attach Back Piece (F) to Back Stretcher (E).
- Slide Back Panel (G) to the unit.
- Attach Back Stretcher (E) to the unit using Cam Lock.
- Attach Side Panel (C) to the unit using Cam Locks.

## STEP 4

Attach Base (H) to unit with Head Cap Bolts (long) and Cross Dowels.

Attach Leg (I) to Base (H) with Head Cap Bolts.



# Assembly Instructions 4/4

## STEP 5

Place Top (A) on the unit with Cam Locks.

Attach Magnets at the Pre-drilled Holes of Base (H) with Wood Screws.

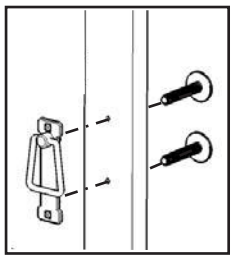
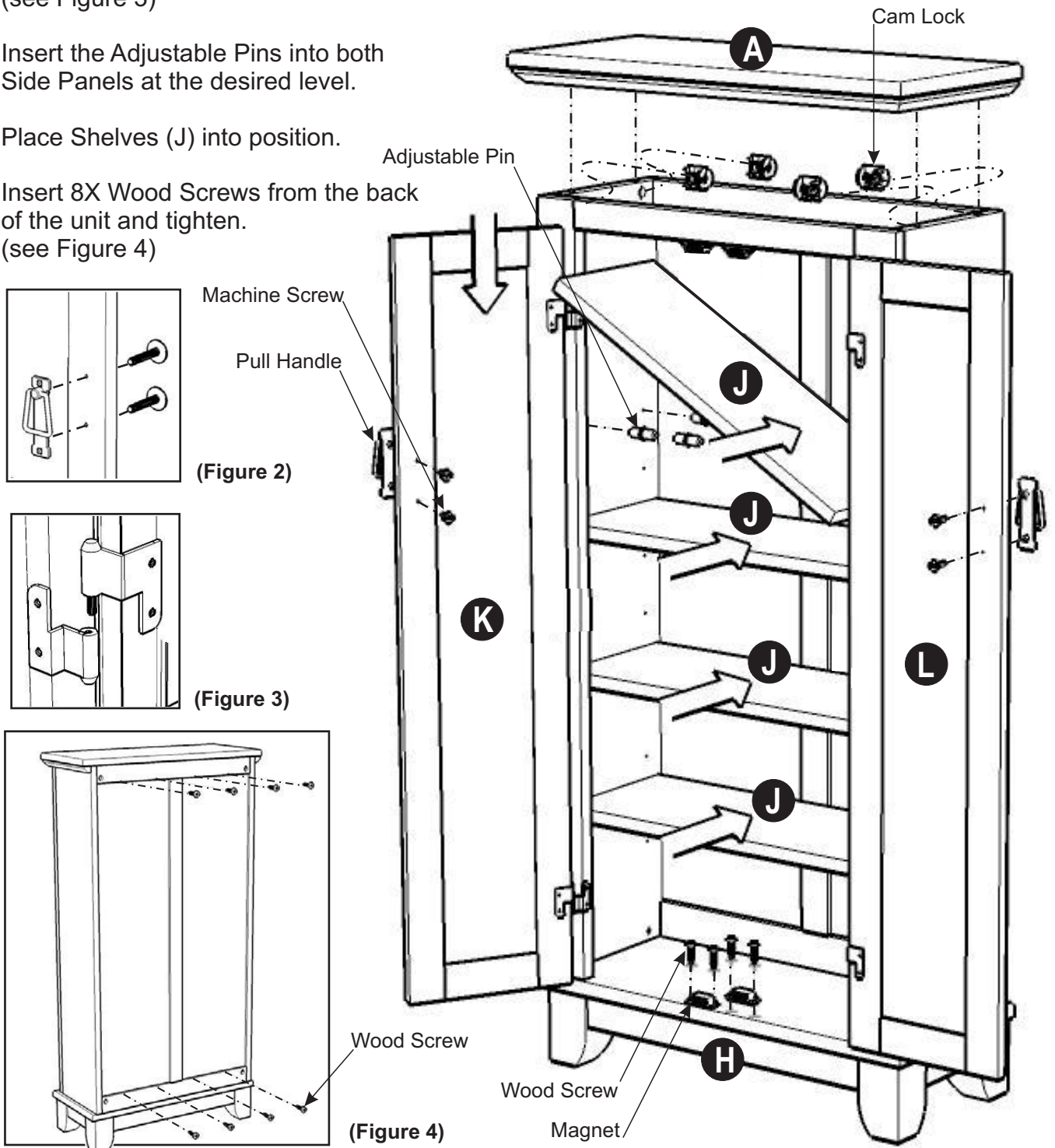
Attach the Door Pull Handle to Door (K) and (L) using Machine Screws. (see Figure 2)

Attach Door (K) and (L) to unit by sliding the door lift hinges into the Side Panel lift hinges. (see Figure 3)

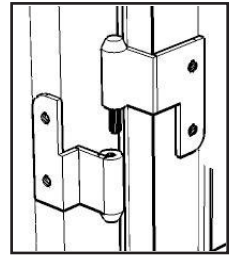
Insert the Adjustable Pins into both Side Panels at the desired level.

Place Shelves (J) into position.

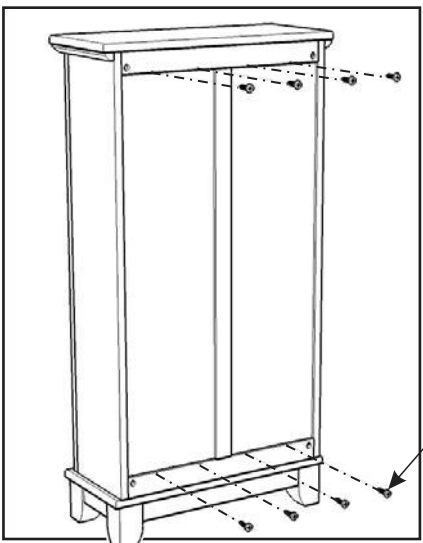
Insert 8X Wood Screws from the back of the unit and tighten. (see Figure 4)



Machine Screw  
Pull Handle  
(Figure 2)



(Figure 3)



Wood Screw  
(Figure 4)