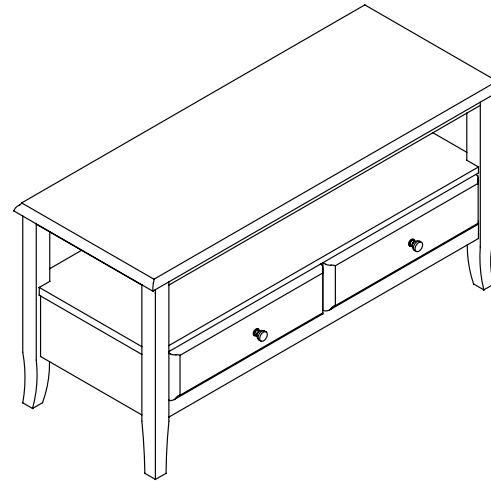


ME40 MERLOT ENTERTAINMENT CENTER

OPERATING INSTRUCTIONS



SAFETY FIRST!

The following information is to insure that you the user of this product are given up to date Safety information regarding your purchase. As with all Safety information, these are recommendations and the final responsibility for your safety compliance is in your hands.

Furniture more than 30 inches tall is potentially unstable and must be anchored to a wall or floor with straps or other restraints.

We have included in your package, suitable wall mounting straps. These straps are tested to hold the product as delivered. Any electronics or objects of weight you choose to place on this furniture should be individually anchored according to the manufacturer's safety instructions.

Avoid Storing Items on higher shelving that will attract a child's Attention.

A small child may attempt to climb the furniture causing a tip over accident.

Do not place objects on the furniture larger than those recommended.

Overloading can cause the furniture to tip over.

Place Televisions As Far Back As Possible on the TV STAND.

Tip over is more likely if the TV is placed forwardly on the stand.

Hide all Cables and Wires behind the TV or Stand.

All wiring should be kept out of traffic areas to avoid accidental tripping that could potentially tip over the furniture.

WARNING

1. Do not use this product unless all screws and bolts are securely tightened.
2. Check that all screws and bolts are tight every three months or as needed.
3. Dispose of packing material properly. Do not use plastic cover as head covering. It may cause suffocation.
4. Do not use this product as a stepladder.
5. Use this product for its intended purpose only.

LIMITED WARRANTY

OSP Designs Warrants, to the original purchaser its products to be free from defects in material and workmanship for a period of 90 days. Defects and damage from misuse, abuse, negligence, alteration, accident, vandalism, rusting, acts of nature or any other event beyond the control of Home Star Products is not covered. The warranty does not cover cosmetic damage that may result from normal use. Liability for incidental or consequential damages is excluded. The user assumes all risk of injury resulting from use of this product. This warranty gives you specific legal rights, and you may also have other rights which vary from state to state.

To make a warranty claim, contact Customer Service, provide model number, sales receipt and description of the problem. It is the customer's responsibility to prepay freight on any components returned to the factory. Home Star Products will pay return freight on components covered under terms of warranty.

an **SefaCo.** Store
1-800-667-8721



ME40 MERLOT ENTERTAINMENT CENTER

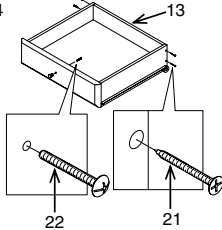
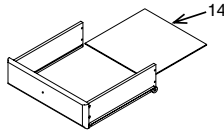
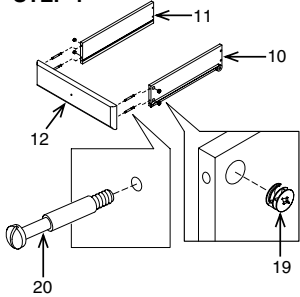
ASSEMBLY INSTRUCTIONS

IMPORTANT NOTE:

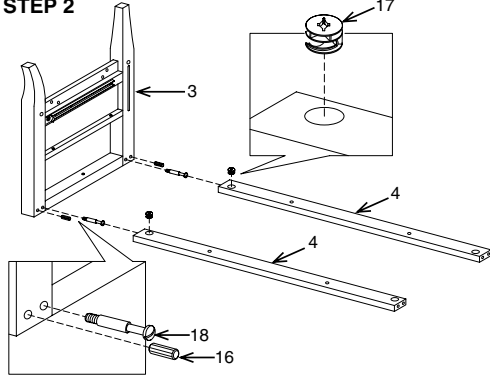
1. Use hand tools only for assembly as power tools may cause damage
2. Carefully remove any staples used for packaging.

PART	QTY	PART	QTY
1. Top Panel	1	13. Drawer Back	2
2. Left Leg Frame	1	14. Drawer Bottom	2
3. Right Leg Frame	1	15. Screw	16
4. Cross Bar	2	16. Wooden Dowel	22
5. Bottom Panel	1	17. Large Cam Lock	10
6. Shelf Panel	1	18. Large Cam Lock Stud	10
7. Top Partition Panel	1	19. Small Cam Lock	8
8. Bottom Partition Panel	4	20. Small Cam Lock Stud	8
9. Back Panel	4	21. Wood Screw	8
10. Right Drawer Side	2	22. Small Screw	8
11. Left Drawer Side	2	23. Knob	2
12. Drawer Front	2	24. Allen Wrench	1

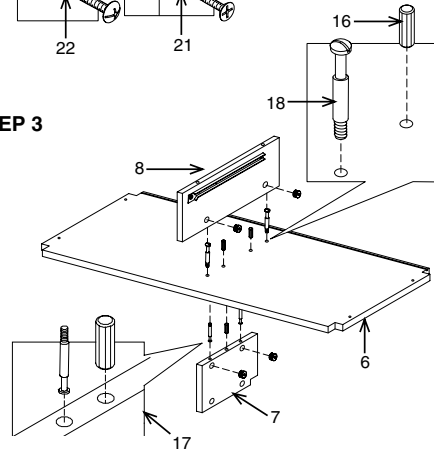
STEP 1



STEP 2



STEP 3



Remove all parts from carton, separate by part numbers indicated on parts list, and verify part quantities.

STEP 1 Insert four Small Cam Lock Studs (20) into Drawer Front (12), slide both Right Drawer Side (10) and Left Drawer Side (11) over Small Cam Lock Studs (20) in Drawer Front (12). Secure Drawer Front (12) using four Small Cam Locks (19), **FULLY TIGHTEN SMALL CAM LOCKS (19)**. Slide Drawer Bottom (14) into groove of drawer assembly, Attach Drawer Back (13) to drawer assembly, and secure using four Wood Screws (21). Attach Knob (23) to Drawer Front (12) using one Small Screw (22). **REPEAT STEP 1 FOR SECOND DRAWER.**

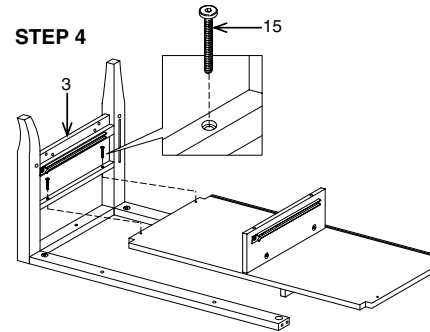
STEP 2 Insert two Wooden Dowels (16) and two Large Cam Lock Studs (18) into Right Leg Frame (3), slide both Cross Bars (4) into position and Secure using two Large Cam Locks (17). **FULLY TIGHTEN LARGE CAM LOCKS (17)**.

STEP 3 Insert two Wooden Dowels (16) and two Large Cam Lock Studs (17) into bottom side of Shelf Panel (6), and one Wooden Dowel (16) and two Large Cam Lock Studs (18) into top side of Shelf Panel (6). Attach Bottom Partition Panel (8) and secure by installing two Large Cam Locks (17), **FULLY TIGHTEN LARGE CAM LOCKS (17)**. Attach Top Partition Panel (7) and secure by installing two Large Cam Locks (17), **FULLY TIGHTEN LARGE CAM LOCKS (17)**.

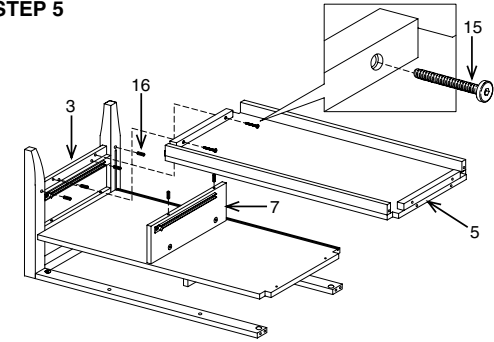
ME40 MERLOT ENTERTAINMENT CENTER

ASSEMBLY INSTRUCTIONS

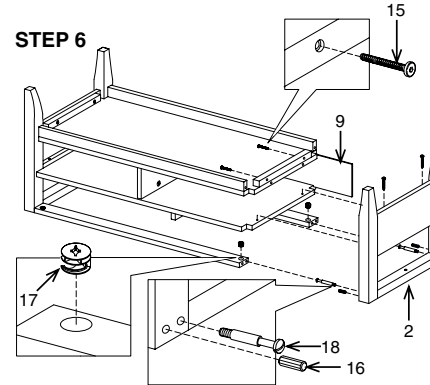
STEP 4



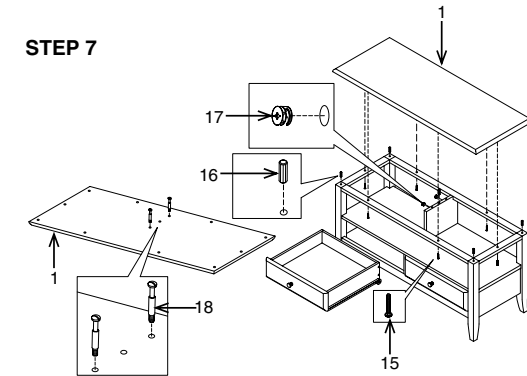
STEP 5



STEP 6



STEP 7



STEP 4 Attach Shelf Panel (6) to Right Leg Frame (3) and secure using two Screws (15), **FULLY TIGHTEN SCREWS.**

STEP 5 Insert four Wooden Dowels (16) into Right Leg Frame (3), insert two Wooden Dowels (16) into Bottom Partition Panel (8). Align holes in Bottom Panel (5) with Wooden Dowels (16), attach Bottom Panel (5) and secure to Right Leg Frame (3) using two Screws (15), **FULLY TIGHTEN SCREWS.**

STEP 6 Slide Back Panel (9) into groove of Bottom Panel (5) and Shelf Panel (6), insert one Wooden Dowel (16) and one Large Cam Lock Stud (18) into each corner of Left Leg Frame (2), align and attach Left Leg Frame (2) to assembly. Secure Left Leg Frame (2) using four Screws (15), Install and secure one Large Cam Lock (17) into each Cross Bar (4), **FULLY TIGHTEN SCREWS (15) AND LARGE CAM LOCKS (17)**.

STEP 7 Turn assembly right side up, Insert two Large Cam Lock Studs (18) into bottom of Top Panel (1), Insert four Wooden Dowels (16) into corners of assembly, align and Place Top Panel (1) onto assembly, install using two Large Cam Locks (17) into Top Partition Panel (7), secure Top Panel (1) using six Screws (15), **FULLY TIGHTEN SCREWS (15) AND LARGE CAM LOCKS (17)**.

ATTENTION: MAKE SURE ALL SCREWS AND CAM LOCKS ARE FULLY TIGHTENED BEFORE USING.

an *SefaCo.* Store
1-800-667-8721