

TV0660FWA 60" TV STAND w/ SIDE FOLDING CONSTRUCTION OPERATING INSTRUCTIONS

SAFETY FIRST!

The following information is to insure that you the user of this product are given up to date Safety information regarding your purchase. As with all Safety information, these are recommendations and the final responsibility for your safety compliance is in your hands.

Furniture more than 30 inches tall is potentially unstable and must be anchored to a wall or floor with straps or other restraints.

We have included in your package, suitable wall mounting straps. These straps are tested to hold the product as delivered. Any electronics or objects of weight you choose to place on this furniture should be individually anchored according to the manufacturer's safety instructions.

Avoid Storing Items on higher shelving that will attract a child's Attention.

A small child may attempt to climb the furniture causing a tip over accident.

Do not place objects on the furniture larger than those recommended.

Overloading can cause the furniture to tip over.

Place Televisions As Far Back As Possible on the TV STAND.

Tip over is more likely if the TV is placed forwardly on the stand.

Hide all Cables and Wires behind the TV or Stand.

All wiring should be kept out of traffic areas to avoid accidental tripping that could potentially tip over the furniture.



WARNING

1. Do not use this product unless all screws and bolts are securely tightened.
2. Check that all screws and bolts are tight every three months or as needed.
3. Dispose of packing material properly. Do not use plastic cover as head covering. It may cause suffocation.
4. Do not use this product as a stepladder.
5. Use this product for its intended purpose only.

LIMITED WARRANTY

OSP Designs Warrants, to the original purchaser its products to be free from defects in material and workmanship for a period of 90 days. Defects and damage from misuse, abuse, negligence, alteration, accident, vandalism, rusting, acts of nature or any other event beyond the control of Home Star Products is not covered. The warranty does not cover cosmetic damage that may result from normal use. Liability for incidental or consequential damages is excluded. The user assumes all risk of injury resulting from use of this product. This warranty gives you specific legal rights, and you may also have other rights which vary from state to state.

To make a warranty claim, contact Customer Service, provide model number, sales receipt and description of the problem. It is the customer's responsibility to prepay freight on any components returned to the factory. Home Star Products will pay return freight on components covered under terms of warranty.



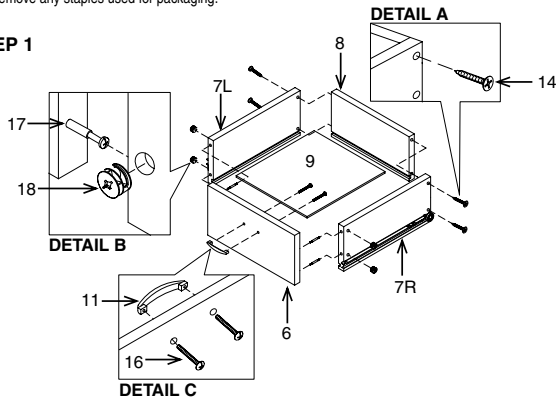
an **SefaCo.** Store
1-800-667-8721

TV0660FWA 60" TV STAND w/ SIDE FOLDING CONSTRUCTION ASSEMBLY INSTRUCTIONS

IMPORTANT NOTE:

1. Use hand tools only for assembly as power tools may cause damage
2. Carefully remove any staples used for packaging.

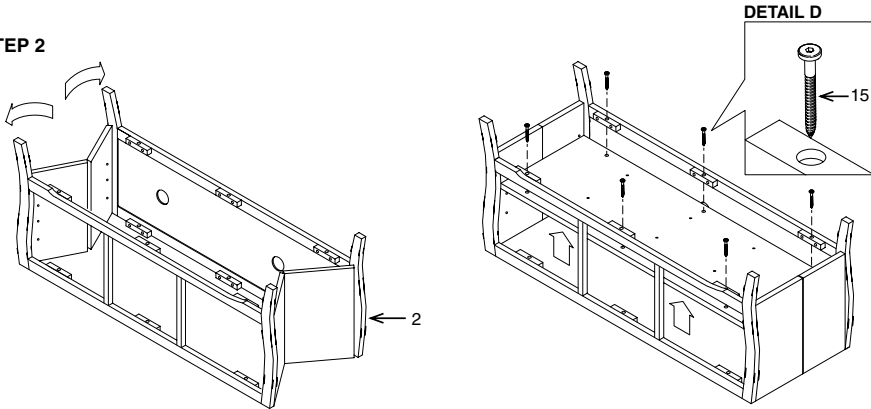
STEP 1



PART	QTY
1. Top	1
2. Folding Frame	1
3. Divider	1
4. Adjustable Shelf	2
5. Bottom Panel	2
6. Drawer Front	2
7. Drawer Sides (7L & 7R)	4
8. Drawer Back	2
9. Drawer Bottom	2
10. Center Leg	2
11. Metal Handle	2
12. Shelf Pin	8
13. Wooden Dowel	10
14. Wood Screw	8
15. Allen Head Wood Screw	16
16. Small Screw	4
17. Cam Lock Stud	8
18. Cam Lock	8
19. Allen Wrench (not shown)	1

Phillips Screwdriver also needed for assembly (not provided)

STEP 2



Remove all parts from carton, separate by part numbers indicated on parts list, and verify part quantities.

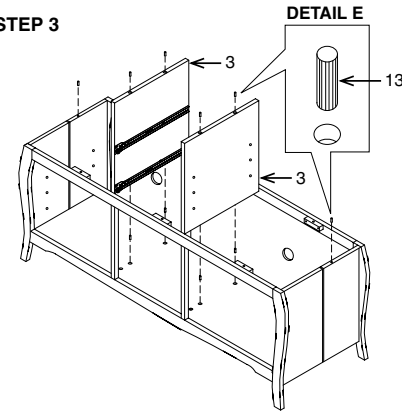
STEP 1 Place the Drawer Back (8) with Bottom groove inward, Attach Drawer Sides (7L & 7R) to the Drawer Back (8) using two Wood Screws (14) for each Drawer Side (7). **SEE DETAIL A.** Slide Drawer Bottom (9) into grooves of Drawer Sides (7L & 7R), and Drawer Back (8). Insert four Cam Lock Studs (17) into Drawer Front (6), attach Drawer Front (6) to Drawer Sides (7), insert two Cam Locks (18) into each Drawer Side (7) **SEE DETAIL B, FULLY TIGHTEN CAM LOCKS (18) AND WOOD SCREWS (14).** Secure Metal Handle (11) to Drawer Front (6) using two Small Screws (16), **SEE DETAIL C, FULLY TIGHTEN SCREWS.**

NOTE: REPEAT STEP 1 FOR SECOND DRAWER.

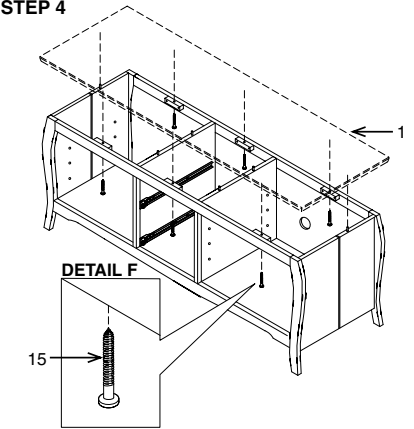
STEP 2 Fully extend the Folding Frame (2). Place Folding Frame (2) top down on a soft surface, Insert Bottom Panel (5) into Folding Frame (2), hold Bottom Panel (5) up with finished side down, secure using six Allen Head Wood Screws (15). **SEE DETAIL D, FULLY TIGHTEN SCREWS.**

TV0660FWA 60" TV STAND w/ SIDE FOLDING CONSTRUCTION ASSEMBLY INSTRUCTIONS

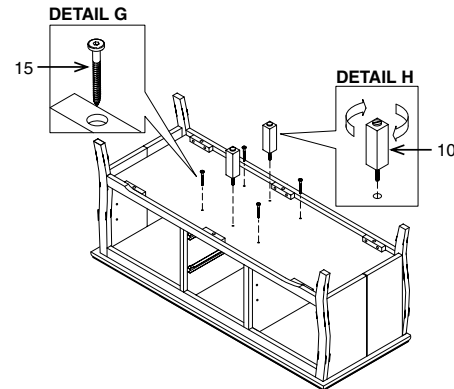
STEP 3



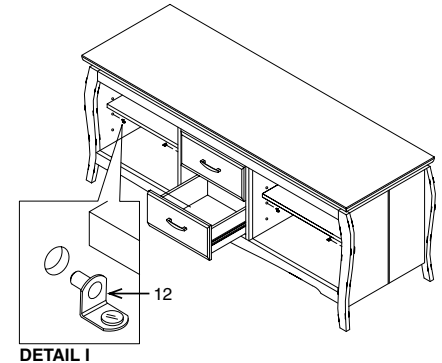
STEP 4



STEP 5



STEP 6



STEP 3 Turn assembly to the upright position, Insert two Wooden Dowels (13) into each end of both Dividers (3), align and slide Dividers (3) into holes of Folding Frame (2), also insert two Wooden Dowels (13) into Folding Frame (2) **SEE DETAIL E.**

STEP 4 Carefully place Top (1) onto assembly, secure using six Allen Head Screws (15) **SEE DETAIL F, FULLY TIGHTEN SCREWS.**

STEP 5 Carefully turn assembly over and place face down on a soft surface, secure Dividers (3) using four Allen Head Wood Screws (15),

SEE DETAIL G, screw in both Center Legs (10) to bottom of assembly, SEE DETAIL H. FULLY TIGHTEN SCREWS.

STEP 6 Slide both assembled drawers into TV stand assembly, insert Shelf Pins (12) into assembly, place Adjustable Shelves (4) onto Shelf Pins (12).

ATTENTION: MAKE SURE ALL SCREWS ARE FULLY TIGHTENED BEFORE USING TV STAND.

an **eefaCo.** Store
1-800-667-8721