

## TV0860FBK 80" TV STAND w/ SIDE FOLDING CONSTRUCTION OPERATING INSTRUCTIONS



### **WARNING**

1. Do not use this product unless all screws and bolts are securely tightened.
2. Check that all screws and bolts are tight every three months or as needed.
3. Dispose of packing material properly. Do not use plastic cover as head covering. It may cause suffocation.
4. Do not use this product as a stepladder.
5. Use this product for its intended purpose only.

### **LIMITED WARRANTY**

OSP Designs Warrants, to the original purchaser its products to be free from defects in material and workmanship for a period of 90 days. Defects and damage from misuse, abuse, negligence, alteration, accident, vandalism, rusting, acts of nature or any other event beyond the control of Home Star Products is not covered. The warranty does not cover cosmetic damage that may result from normal use. Liability for incidental or consequential damages is excluded. The user assumes all risk of injury resulting from use of this product. This warranty gives you specific legal rights, and you may also have other rights which vary from state to state.

To make a warranty claim, contact Customer Service, provide model number, sales receipt and description of the problem. It is the customer's responsibility to prepay freight on any components returned to the factory. Home Star Products will pay return freight on components covered under terms of warranty.

an **EfaCo.** Store  
1-800-667-8721

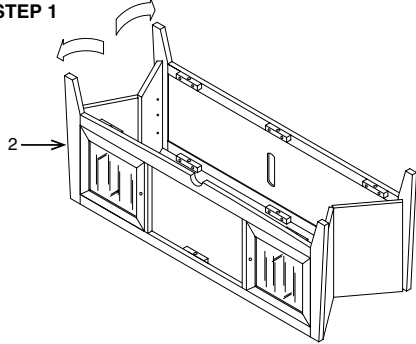


# TV0860FBK 80" TV STAND w/ SIDE FOLDING CONSTRUCTION ASSEMBLY INSTRUCTIONS

## IMPORTANT NOTE:

1. Use hand tools only for assembly as power tools may cause damage
2. Carefully remove any staples used for packaging.

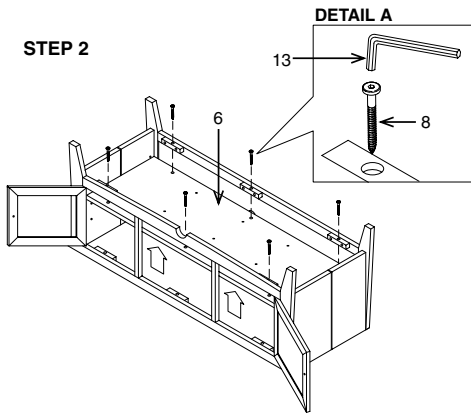
### STEP 1



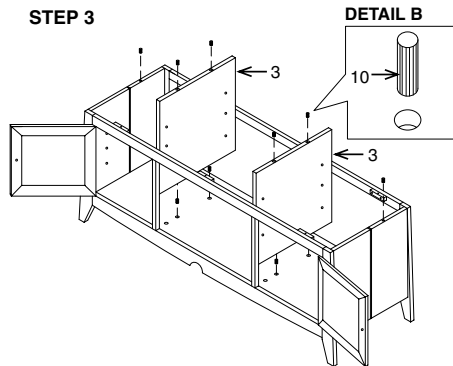
PART	QTY
1. Top	1
2. Folding Frame	1
3. Divider	2
4. Small Adjustable Shelf	2
5. Large Adjustable Shelf	1
6. Bottom Panel	1
7. Center Leg	2
8. Wood Screw	16
9. Small Screw	2
10. Wooden Dowel	10
11. Metal Knob	2
12. Shelf Pin	12
13. Allen Wrench	1

Phillips Screwdriver also needed for assembly (not provided)

### STEP 2



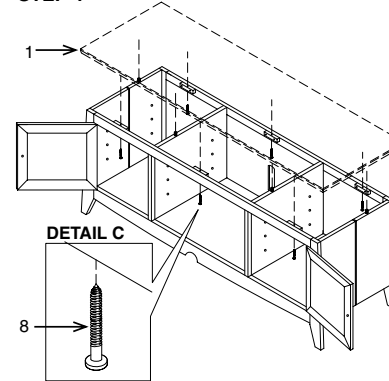
### STEP 3



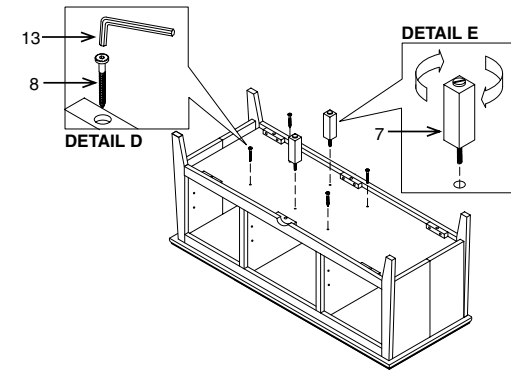
an *EefaCo.* Store  
1-800-667-8721

# TV0860FBK 80" TV STAND w/ SIDE FOLDING CONSTRUCTION ASSEMBLY INSTRUCTIONS

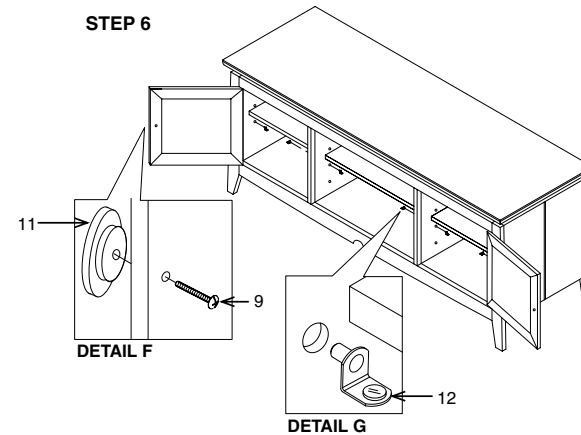
### STEP 4



### STEP 5



### STEP 6



Remove all parts from carton, separate by part numbers indicated on parts list, and verify part quantities.

**STEP 1** Fully extend the Folding Frame (2), Place Folding Frame (2) top down on a soft surface,

**STEP 2** Insert Bottom Panel (6) into Folding Frame (2), hold Bottom Panel (6) up with finished side down, secure using six Wood Screws (8). **SEE DETAIL A, FULLY TIGHTEN SCREWS.**

**STEP 3** Turn assembly to the upright position, Insert two Wooden Dowels (10) into each end of both Dividers (3), align and slide Dividers (3) into holes of Folding Frame (2), also insert two Wooden Dowels (10) into Folding Frame (2) **SEE DETAIL B.**

**STEP 4** Carefully place Top (1) onto assembly, secure using six Wood Screws (8) **SEE DETAIL C, FULLY TIGHTEN SCREWS.**

**STEP 5** Carefully turn assembly top down on a soft surface, Secure Dividers (3) using four Wood Screws (8), **SEE DETAIL D, screw in both Center Legs (7) to bottom of assembly, SEE DETAIL E. FULLY TIGHTEN SCREWS.**

**SEE DETAIL G, Screw in both Center Legs (10) to bottom of assembly, SEE DETAIL H. FULLY TIGHTEN SCREWS.**

**STEP 6** Insert Shelf Pins (12) into assembly, place both Small Adjustable Shelves (4) and Large Adjustable Shelf (5) onto Shelf Pins (12).

Secure one Metal Knob (11) to each door front using one Small Screw (9) for each Metal Knob (11), **SEE DETAIL F.**

**ATTENTION: MAKE SURE ALL SCREWS ARE FULLY TIGHTENED BEFORE USING TV STAND.**