



TV1148BKG / TV1160BKG TV STAND OPERATING INSTRUCTIONS



SAFETY FIRST!

The following information is to insure that you the user of this product are given up to date Safety information regarding your purchase. As with all Safety information, these are recommendations and the final responsibility for your safety compliance is in your hands.

Furniture more than 30 inches tall is potentially unstable and must be anchored to a wall or floor with straps or other restraints.

We have included in your package, suitable wall mounting straps. These straps are tested to hold the product as delivered. Any electronics or objects of weight you choose to place on this furniture should be individually anchored according to the manufacturer's safety instructions.

Avoid Storing Items on higher shelving that will attract a child's Attention.

A small child may attempt to climb the furniture causing a tip over accident.

Do not place objects on the furniture larger than those recommended.

Overloading can cause the furniture to tip over.

Place Televisions As Far Back As Possible on the TV STAND.

Tip over is more likely if the TV is placed forwardly on the stand.

Hide all Cables and Wires behind the TV or Stand.

All wiring should be kept out of traffic areas to avoid accidental tripping that could potentially tip over the furniture.

Weight Capacity (TV1148BKG)

Top panel: 150lbs

Shelves: 75lbs

Weight Capacity (TV1160BKG)

Top panel: 180lbs

Shelves: 90lbs

WARNING

1. Do not use this product unless all screws and bolts are securely tightened.
2. Check that all screws and bolts are tight every three months or as needed.
3. Dispose of packing material properly. Do not use plastic cover as head covering. It may cause suffocation.
4. Do not use this product as a stepladder.
5. Use this product for its intended purpose only.

LIMITED WARRANTY

OSP Designs Warrants, to the original purchaser its products to be free from defects in material and workmanship for a period of 90 days. Defects and damage from misuse, abuse, negligence, alteration, accident, vandalism, rusting, acts of nature or any other event beyond the control of Home Star Products is not covered. The warranty does not cover cosmetic damage that may result from normal use. Liability for incidental or consequential damages is excluded. The user assumes all risk of injury resulting from use of this product. This warranty gives you specific legal rights, and you may also have other rights which vary from state to state.

To make a warranty claim, contact Customer Service, provide model number, sales receipt and description of the problem. It is the customer's responsibility to prepay freight on any components returned to the factory. Home Star Products will pay return freight on components covered under terms of warranty.

an **EfaCo.** Store
1-800-667-8721



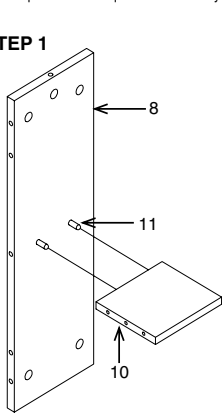
TV1148BKG / TV1160BKG TV STAND

ASSEMBLY INSTRUCTIONS

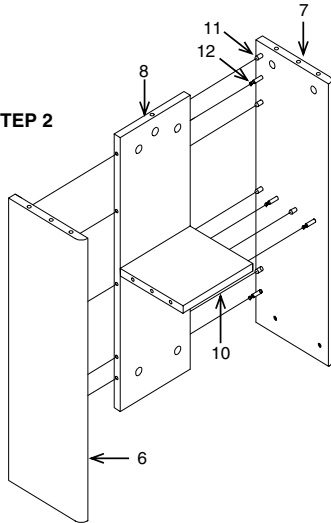
IMPORTANT NOTE:

1. Use hand tools only for assembly as power tools may cause damage
2. Carefully remove any staples used for packaging.
3. Phillips Screwdriver also needed for assembly (not provided)
4. Two persons are required for assembly of this product.

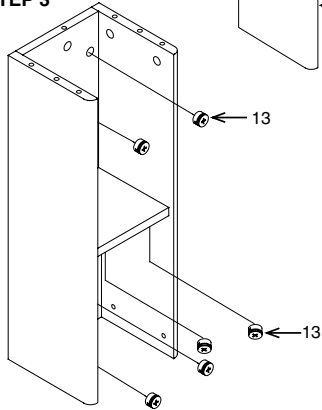
STEP 1



STEP 2

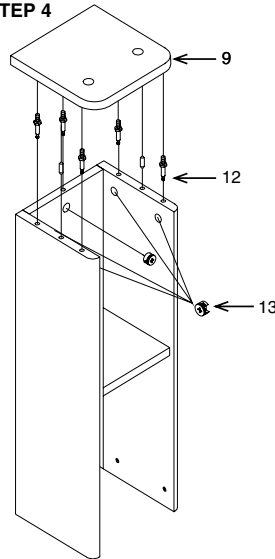


STEP 3



PART	QTY
1. Glass Top.....	1
2. Middle Glass Shelf.....	1
3. Bottom Shelf.....	1
4. Top Frame.....	1
5. Middle Frame.....	1
6. Pedestal Left Sides.....	2
7. Pedestal Right Side.....	2
8. Pedestal Back.....	2
9. Pedestal Top.....	2
10. Pedestal Shelf.....	2
11. Dowel.....	17
12. Cam Lock Stud.....	26
13. Cam Lock.....	26
14. Barrel Nut.....	8
15. Short Allen Screws.....	8
16. Medium Allen Screws.....	4
17. Long Allen Screws.....	10
18. Rubber Bumpers.....	1
19. Allen Wrench (not shown).....	1

STEP 4



Remove all parts from carton, separate by part numbers indicated on parts list, and verify part quantities.

STEP 1 Insert two Dowels (11) into Pedestal Back (8), align and insert Pedestal Shelf (10) to Pedestal Back (8).

STEP 2 Insert five Dowels (11) and four Cam Lock Studs (12) into Pedestal Side (6L) and Pedestal Side (7R). Attach Pedestal Sides (6L & 7R) to Pedestal Back (8) and Pedestal Shelf (10).

STEP 3 Secure Pedestal Sides (6 & 7) using eight Cam Locks (13). **TIGHTEN CAM LOCKS (13) USING PHILLIPS SCREWDRIVER (not provided).**

STEP 4 Insert two Dowels (11) and five Cam Lock Studs (12) into top of assembly, attach Pedestal Top (9) and secure using five Cam Locks (13).

TIGHTEN ALL CAM LOCKS (13) USING PHILLIPS SCREWDRIVER (not provided).

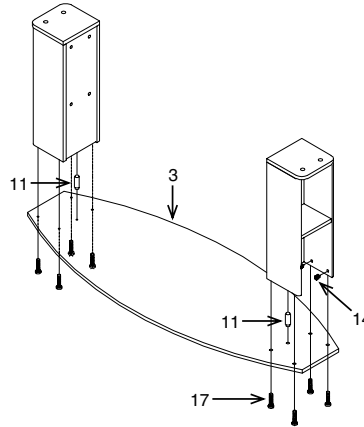
NOTE: Repeat Steps 1-4 for second Pedestal.



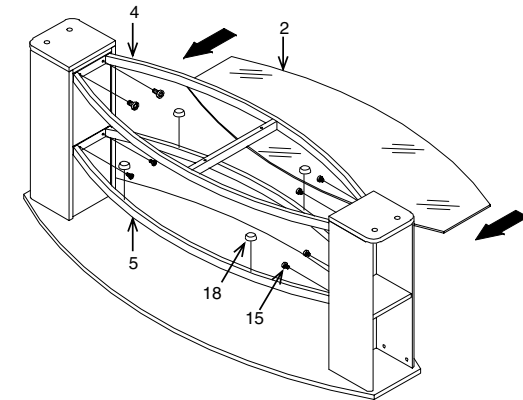
TV1148BKG / TV1160BKG TV STAND

ASSEMBLY INSTRUCTIONS

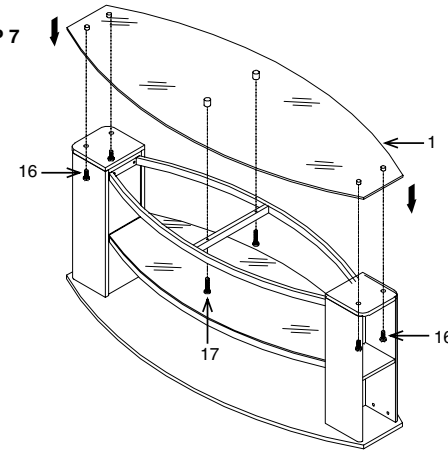
STEP 5



STEP 6



STEP 7



STEP 5 Insert two Dowels (11) into Bottom Shelf (3), insert four Nuts (14) into each Pedestal, Attach both Pedestals to Bottom Shelf (3) and secure using four Long Allen Screws (17) for each Pedestal. **FULLY TIGHTEN SCREWS USING ALLEN WRENCH (19).**

STEP 6 Secure Top Frame (4) and Middle Frame (5) pedestals using four Short Allen Screws (15) for each frame, **FULLY TIGHTEN SCREWS USING ALLEN WRENCH (19).** Attach four Rubber Bumpers (18) to Middle Frame (5), carefully place Middle Glass Shelf (2) onto Middle Frame (5).

STEP 7 Carefully place Glass Top (1) onto assembly, secure Glass Top (1) using four Medium Allen Screws (16) and two Long Allen Screws (17), **FULLY TIGHTEN SCREWS USING ALLEN WRENCH (19).**

MAKE SURE ALL SCREWS & CAM LOCKS ARE FULLY TIGHTENED BEFORE USING TV STAND.

an *SefaCo.* Store
1-800-667-8721